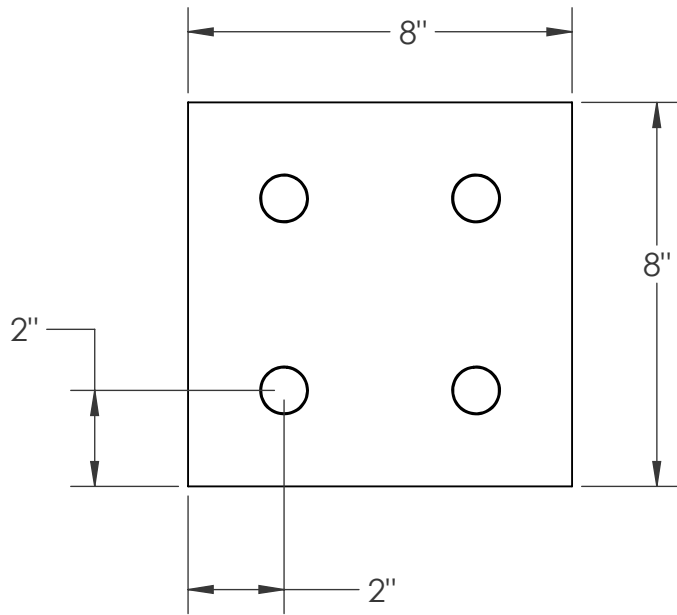
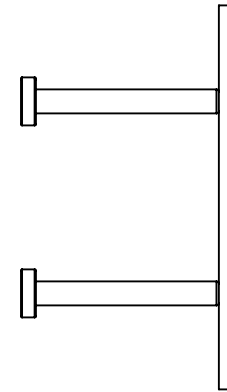
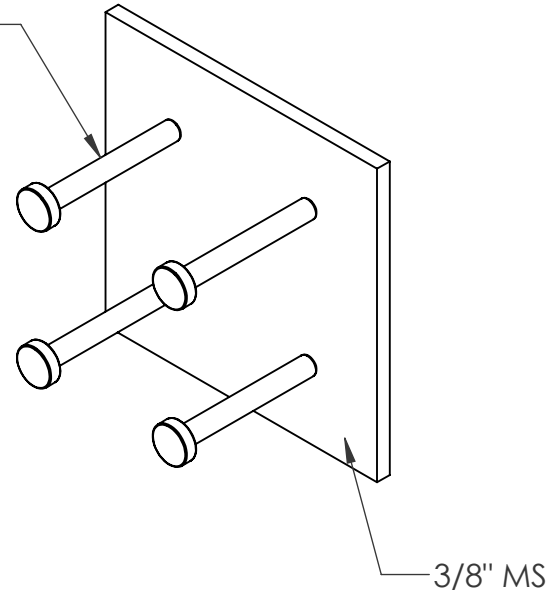


1/2"X4" WET CONCRETE STUD ANCHOR



CUSTOMER VERIFY. NOT FOR CONSTRUCTION

128 Sycamore Street Buffalo, NY 14204 P: 800-285-3056 F: 716-854-1184		MFS Metal Fabrication Services															
SCALE: 1:16 ALL DIMENSIONS IN FEET AND/OR INCHES	CLIENT:	EBERL IRONWORKS															
 PROJECTION: THIRD ANGLE	PROJECT:	ANCHOR PLATE 8															
	PART NO:	MFS-AP8															
PROPRIETARY AND CONFIDENTIAL THE INFORMATION CONTAINED IN THIS DRAWING IS THE SOLE PROPERTY OF EBERL IRON WORKS, INC. ANY REPRODUCTION IN PART OR AS A WHOLE WITHOUT THE WRITTEN PERMISSION OF EBERL IRON WORKS, INC. IS PROHIBITED.	<table border="1"> <thead> <tr> <th>NAME</th> <th>DATE</th> <th>SIZE</th> <th>SHEET</th> <th>REV:</th> </tr> </thead> <tbody> <tr> <td>DRAWN TD</td> <td>4/21/2023</td> <td rowspan="3">A</td> <td rowspan="3">1</td> <td rowspan="3">0</td> </tr> <tr> <td>CHECKED -</td> <td></td> </tr> <tr> <td>APPROVED -</td> <td></td> </tr> </tbody> </table>	NAME	DATE	SIZE	SHEET	REV:	DRAWN TD	4/21/2023	A	1	0	CHECKED -		APPROVED -			
NAME	DATE	SIZE	SHEET	REV:													
DRAWN TD	4/21/2023	A	1	0													
CHECKED -																	
APPROVED -																	