

Eberl Iron Works, Inc.  
128 Sycamore St.  
Buffalo, NY 14204



TF: (800) 285-3056  
F: (716) 854-1184  
E: fab@eberliron.com

## **CONTACT INFORMATION**

Name: \_\_\_\_\_

Email: \_\_\_\_\_

Phone Number: \_\_\_\_\_

Company: \_\_\_\_\_

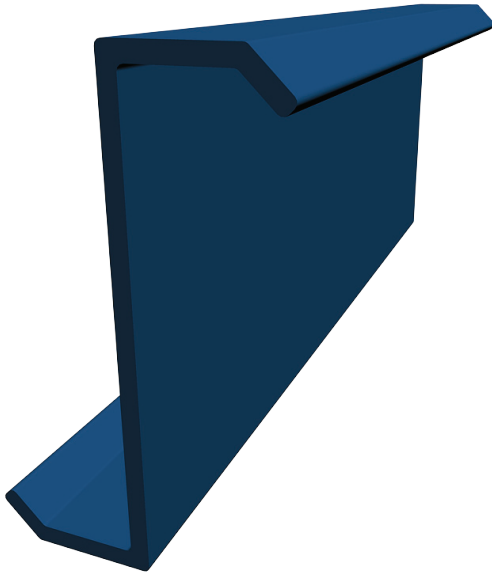
## **SHIPPING INFORMATION**

State: \_\_\_\_\_

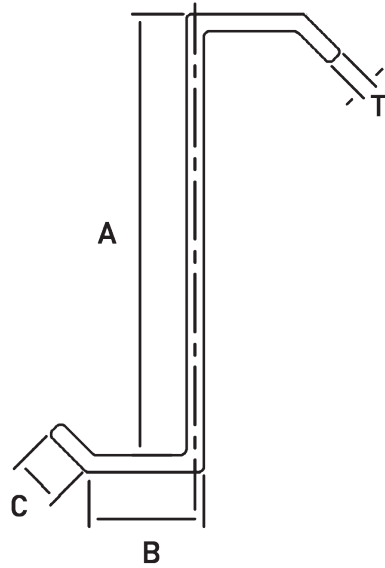
City: \_\_\_\_\_

Zip Code: \_\_\_\_\_

# BENT PLATE:



# Z-CHANNEL



Bent Plate Z-Channels also known as formed Z-Bars, are used for a variety of customer designed applications. Whether they're being used for girts, sub-girts, perlin, stair treads or building framing; custom formed Zees offer a strong and cost effective option. Eberl Iron Works, Inc. utilizes CNC equipment and quality tooling to assure accurate dimensions and quality on our custom steel forms.

## MATERIAL:

Hot Rolled, Cold Rolled, Galvanized  
Stainless Steel, and Aluminum  
20 ga - 1/2" depending on material type

## OPTIONAL FINISHES:

Primer Coat Painted, Hot Dip Galvanized,  
and Powder Coated  
**Holes/Patterns:** Available upon request

QTY	T	MATERIAL	A	B	C	LENGTH	FINISH

A Division of Eberl Iron Works, Inc.  
128 Sycamore Street  
Buffalo, NY 14204  
[metalfabricationsvcs.com](http://metalfabricationsvcs.com)

**MFS**  
Metal Fabrication Services  
**1 (800) 285-3056**  
email: [fab@eberliron.com](mailto:fab@eberliron.com)

# HOW TO USE THIS MANUAL

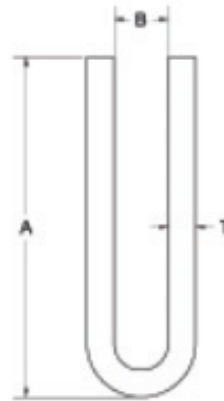
This manual was designed to help customers obtain quotes for bent plate and other custom fabricated items. Simply locate and download or print the form for the desired item, fill the form out and then return it to us for a quote.

Be sure to fill in all dimensions, including: quantity, material thickness, and length. Note any special requirements such as notching, punching, or painting.

Forms are fillable and may be completed on your device and emailed, or printed and filled out by hand, then faxed or scanned and emailed back to us.

Quotes are typically turned around in 1 business day or less.

## SAMPLE



Custom formed steel Sheet Metal Hems are used to enclose expanded metal, wire meshing and perforated sheet steel. Hems provide a smooth u-shaped edging around exposed ends of jagged sheet steel. Common applications include; handrail filler panels, wire screening and architectural designs. Eberl Iron Works, Inc. Hems are rigid and weldable providing cost effective protection to fabricated filler panels. Eberl Iron Works, Inc utilizes CNC equipment and quality tooling to assure accurate dimensions and quality on our custom fabricated steel hems.

### MATERIAL:

Hot Rolled, Cold Rolled, Galvanized  
Stainless Steel, and Aluminum  
20 ga - 1/2" depending on material type

### OPTIONAL FINISHES:

Primer Coat Painted, Hot Dip Galvanized,  
and Powder Coated

QTY	T	MATERIAL	A	B	LENGTH	FINISH
50	14ga	HR Steel	1"	3/8"	10'	none