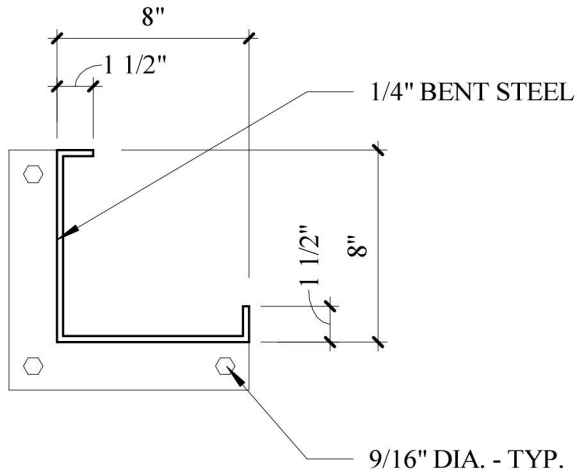
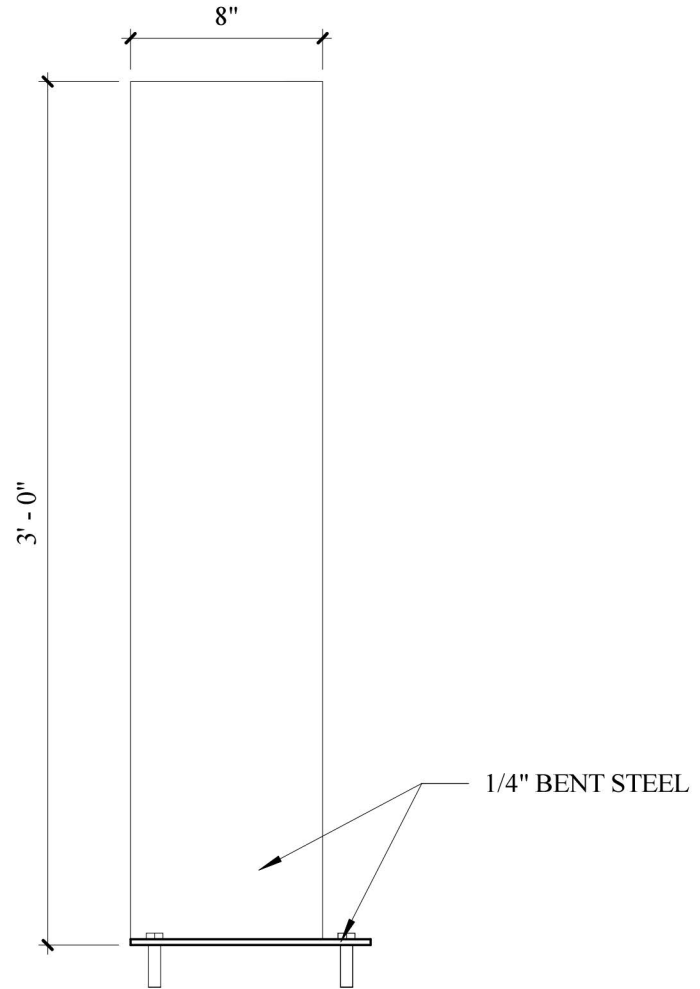


PART #	WIDTH	LENGTH
CG836FM	8"	36"
CG842FM	8"	42"
CG848FM	8"	48"



PLAN



ELEVATION

CUSTOMER	SCALE
CUSTOMER ORDER NO.	DATE
JOB	DRAWING NO.
SHOP ORDER NO.	